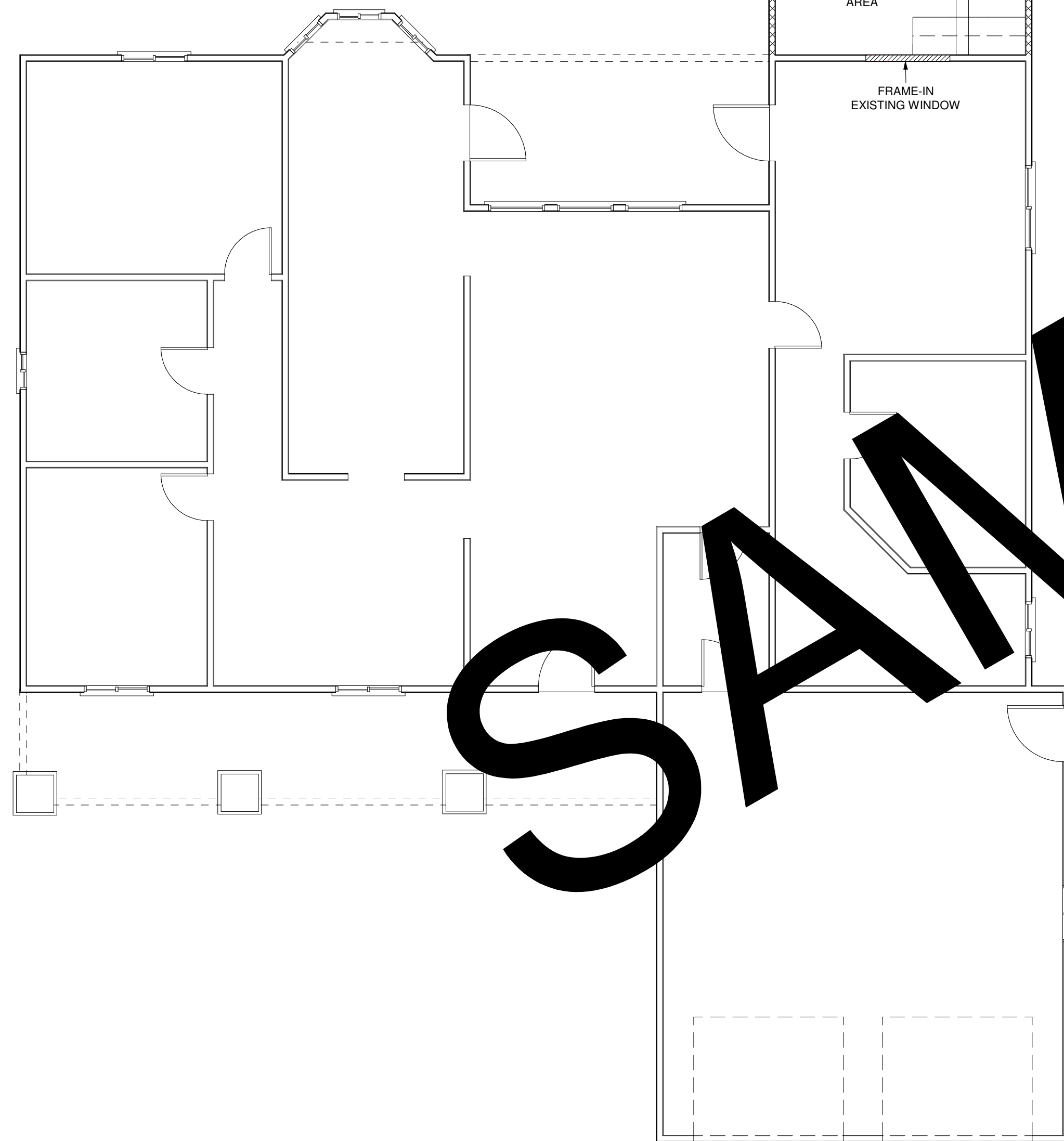
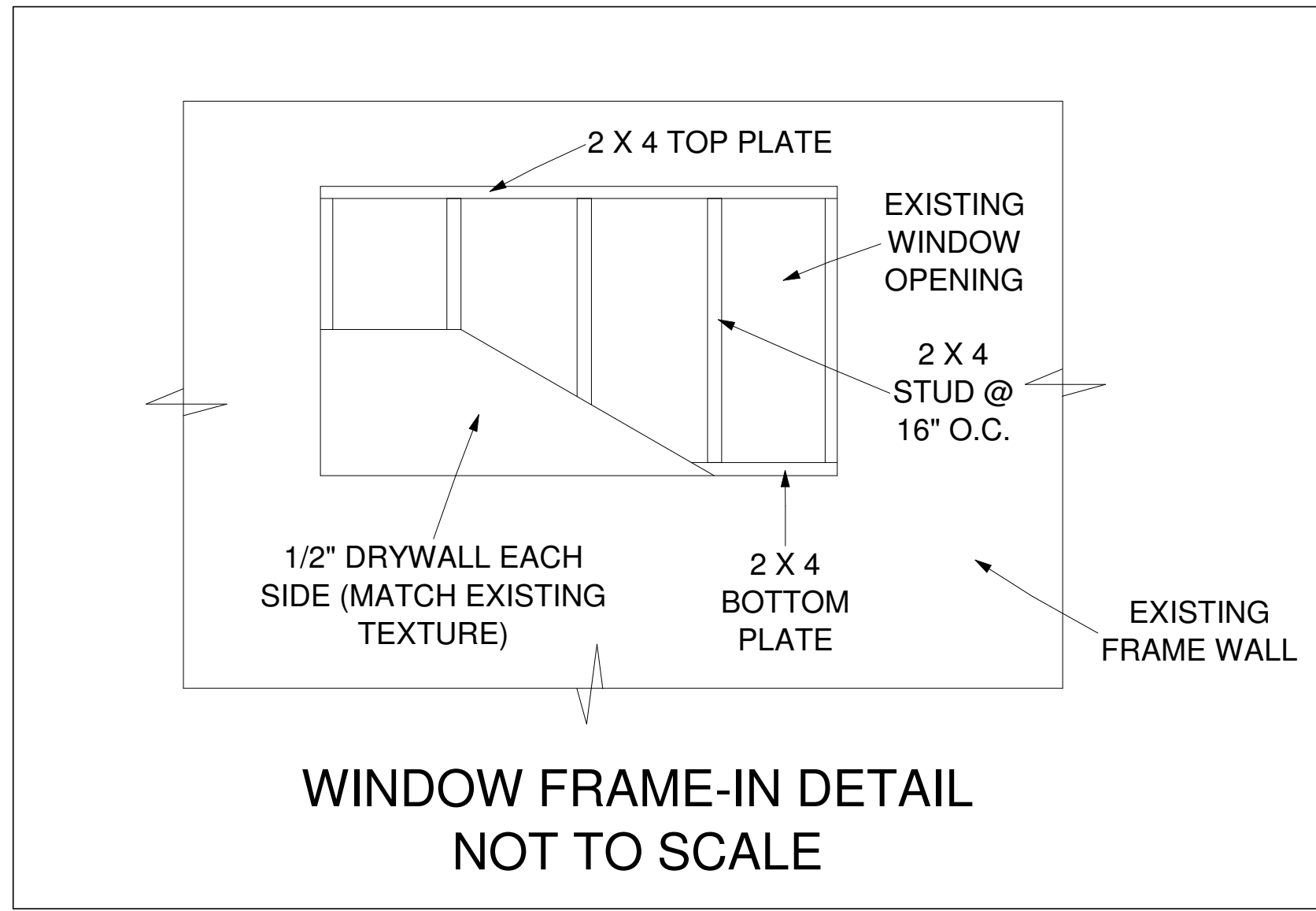
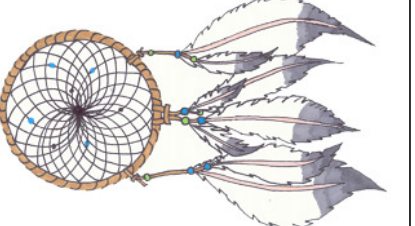


THIS DESIGN IS THE INTELLECTUAL PROPERTY OF DREAMCATCHER BUILDING DESIGNS AND IS NOT TO BE USED OR REPRODUCED WITHOUT THE EXPRESS WRITTEN CONSENT OF DREAMCATCHER BUILDING DESIGNS.

SAMPLE ADDITION PLAN #1

Dreamcatcher Building Designs (941) 462-0110 www.DreamcatcherBuildingDesigns.com



DEMOLITION PLAN
SCALE: 3/16" = 1'-0"

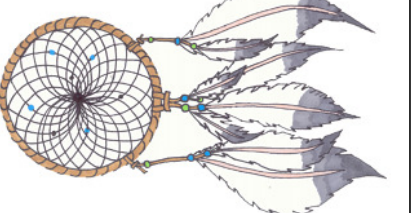


FLOOR & ELECTRICAL PLAN
SCALE: 3/16" = 1'-0"

THIS DESIGN IS THE INTELLECTUAL PROPERTY OF DREAMCATCHER BUILDING DESIGNS AND IS NOT TO BE USED OR REPRODUCED WITHOUT THE EXPRESS WRITTEN CONSENT OF DREAMCATCHER BUILDING DESIGNS.

SAMPLE ADDITION PLAN #1

Dreamcatcher Building Designs (941) 462-0110 www.DreamcatcherBuildingDesigns.com



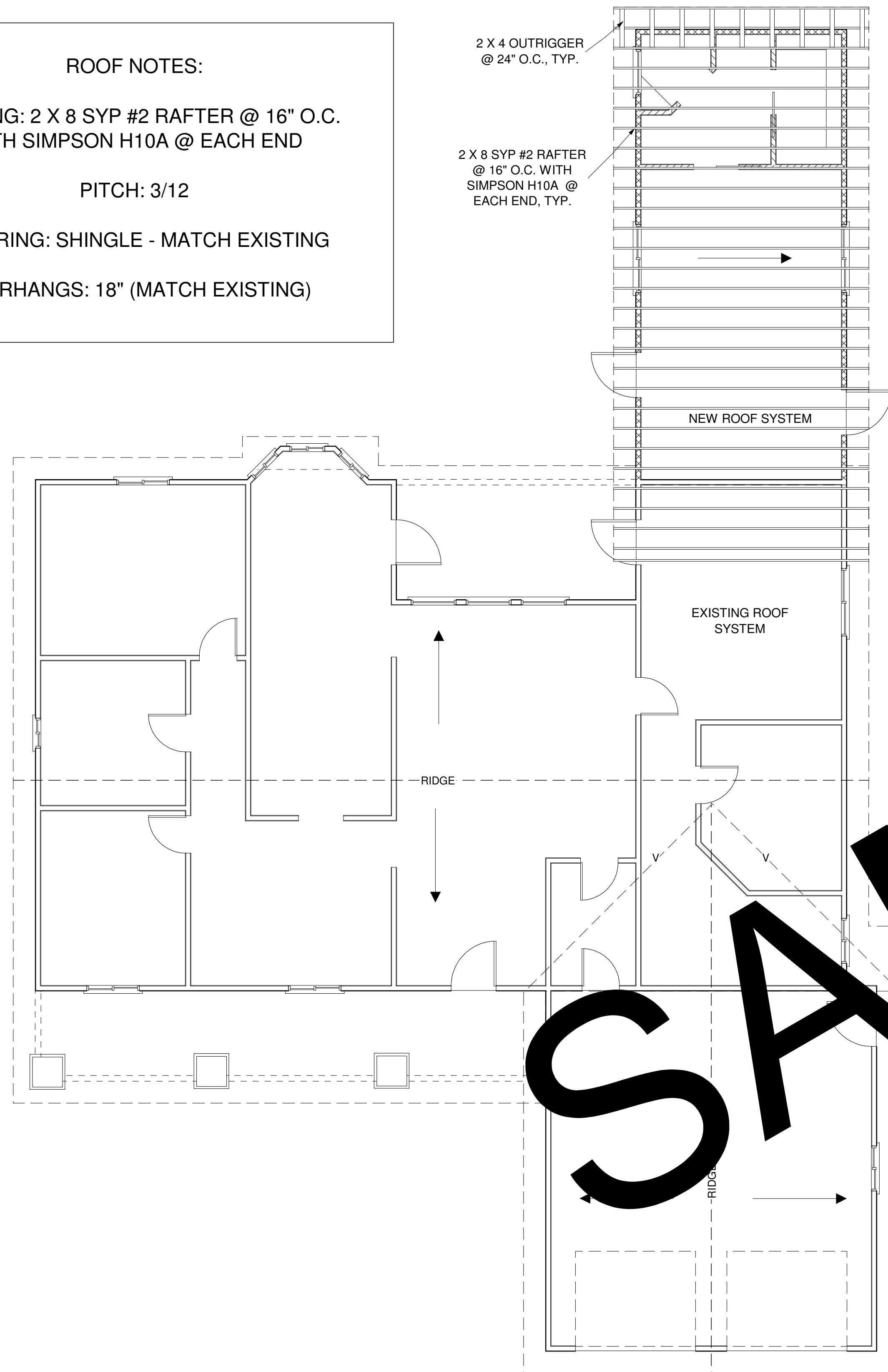
ROOF NOTES:

FRAMING: 2 X 8 SYP #2 RAFTER @ 16" O.C. WITH SIMPSON H10A @ EACH END

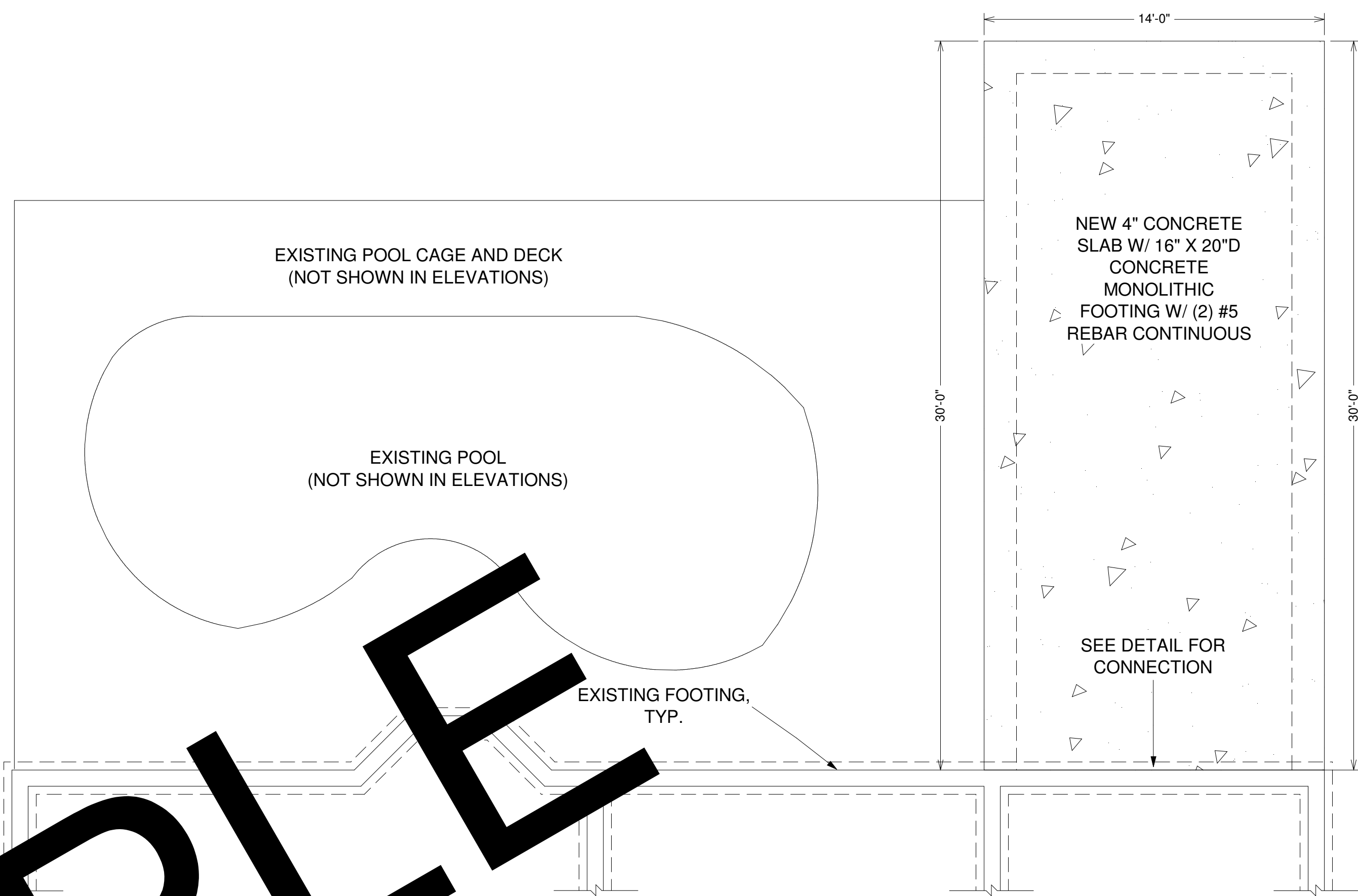
PITCH: 3/12

COVERING: SHINGLE - MATCH EXISTING

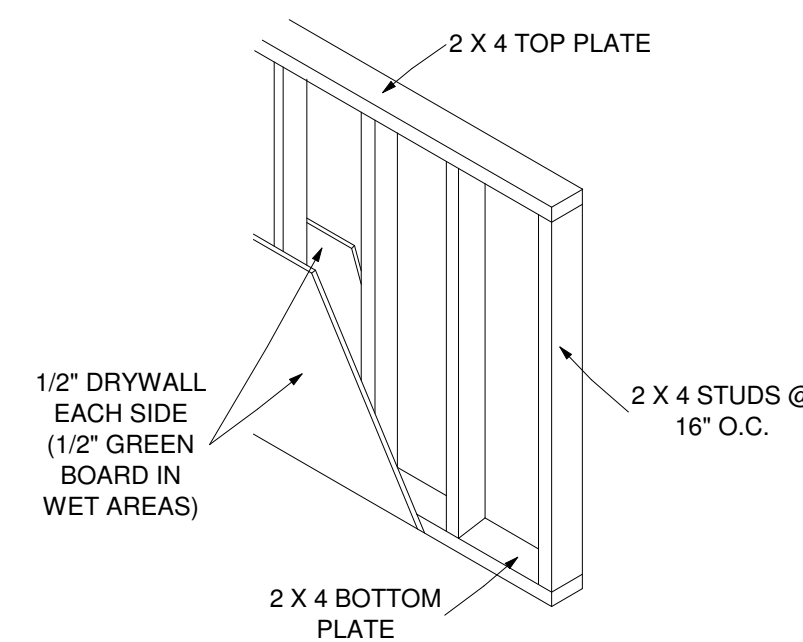
OVERHANGS: 18" (MATCH EXISTING)



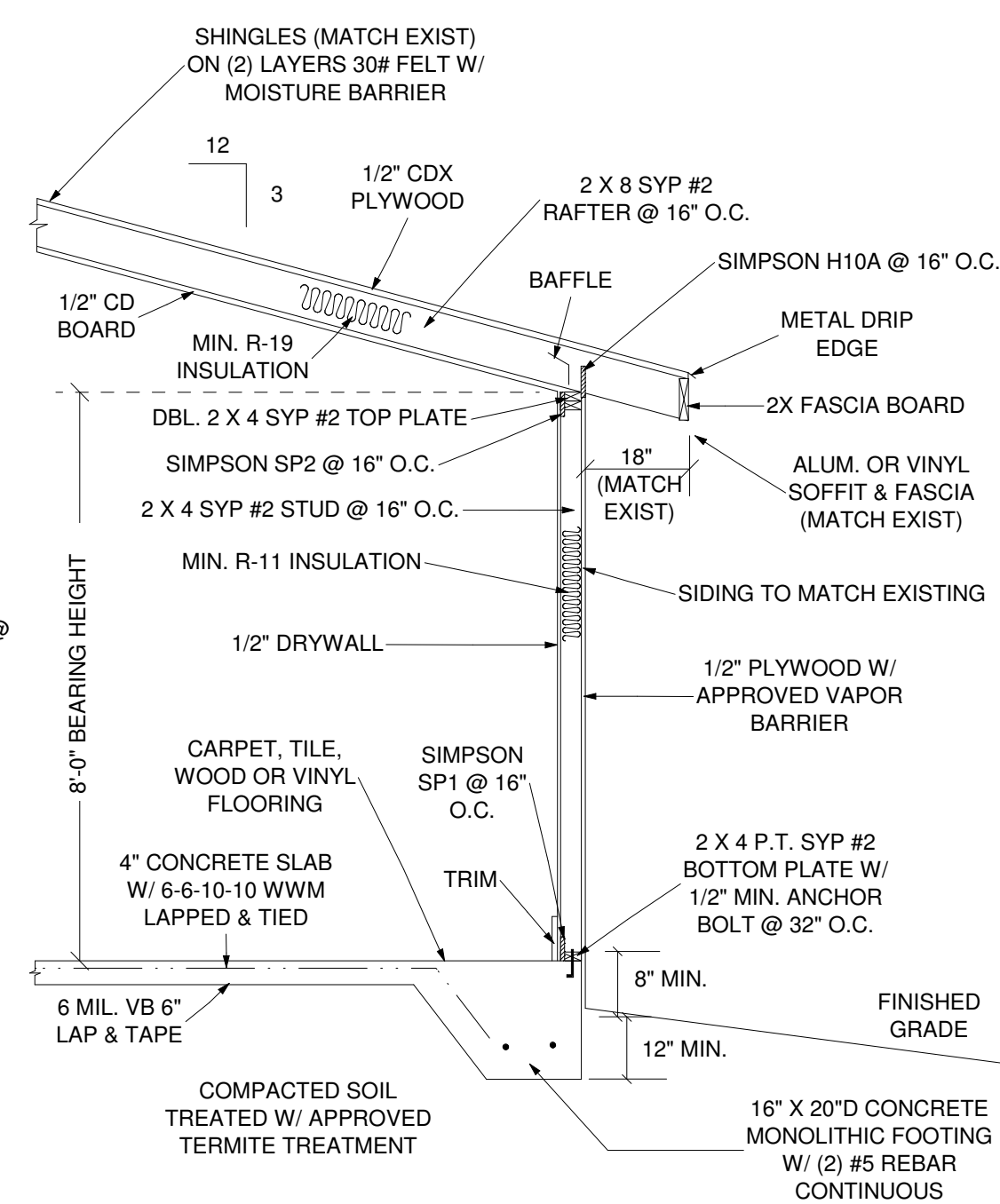
ROOF FRAMING PLAN SCALE: 3/16" = 1'-0"



FOUNDATION PLAN SCALE: 1/4" = 1'-0"



TYPICAL INTERIOR NON-BEARING WALL NOT TO SCALE

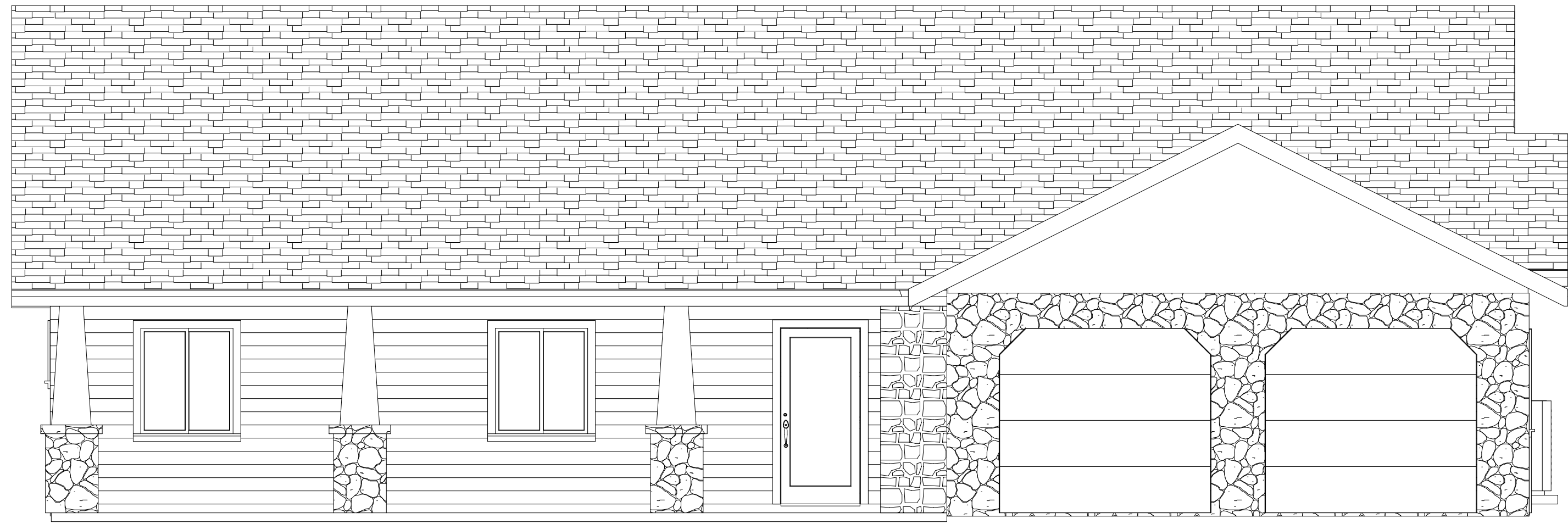
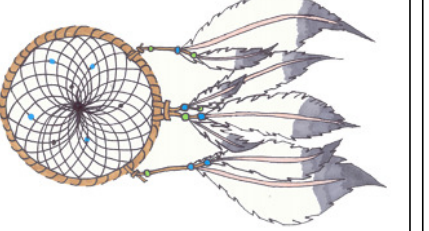


TYPICAL CROSS SECTION NOT TO SCALE

THIS DESIGN IS THE INTELLECTUAL PROPERTY OF DREAMCATCHER BUILDING DESIGNS AND IS NOT TO BE USED OR REPRODUCED WITHOUT THE EXPRESS WRITTEN CONSENT OF DREAMCATCHER BUILDING DESIGNS.

SAMPLE ADDITION PLAN #1

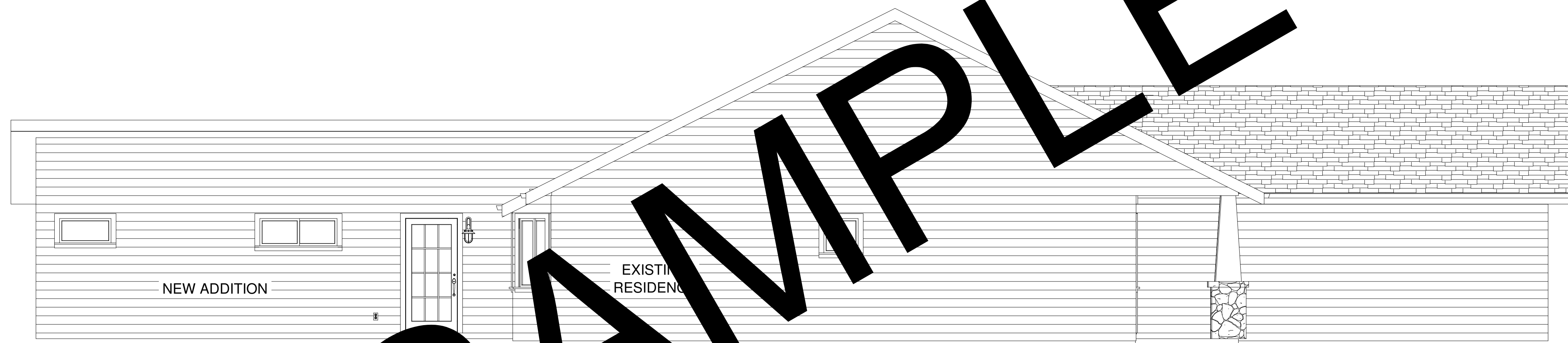
Dreamcatcher
Building Designs
(941) 462-0110
www.DreamcatcherBuildingDesigns.com



FRONT ELEVATION
SCALE: 1/4" = 1'-0"



REAR ELEVATION
SCALE: 1/4" = 1'-0"



LEFT ELEVATION
SCALE: 1/4" = 1'-0"



RIGHT ELEVATION
SCALE: 1/4" = 1'-0"

SAMPLE